

Specification sheet LX 489

Parapet roof drainage systems

Series 79/88 RAINSTAR®

as spout

Main drainage

Gravity flow

Silent

Discharge rate: 2,2 l/sec

Water height: 35 mm

Roof penetration: 82 mm

Diameter: DN 50

LX-Number: LX 489

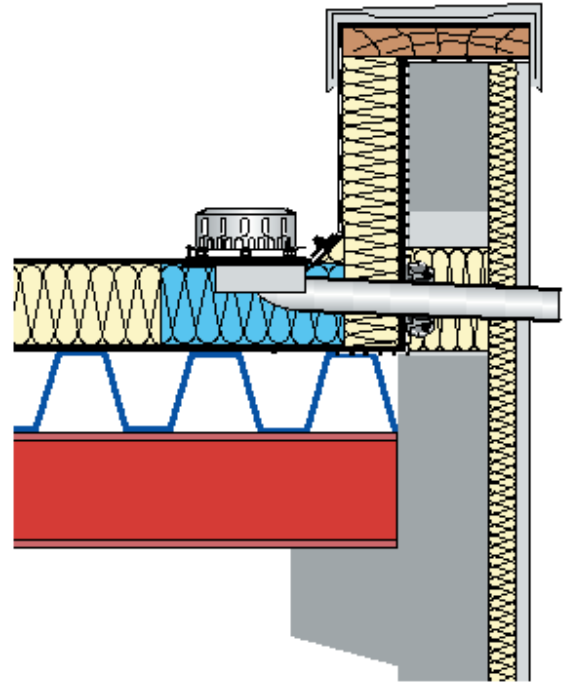
Weir height: 0 mm

Drain: ventilated

Downpipe: -

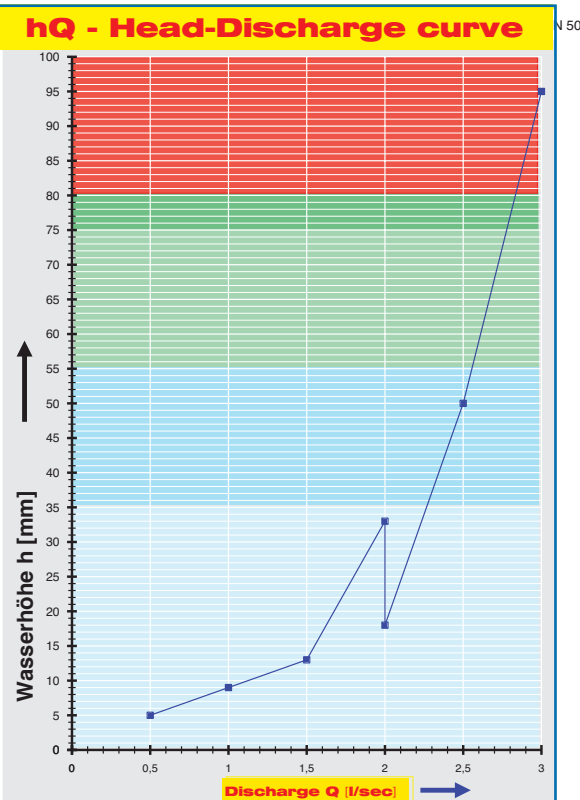
Downpipe height: 0 m

Drainage: on floor

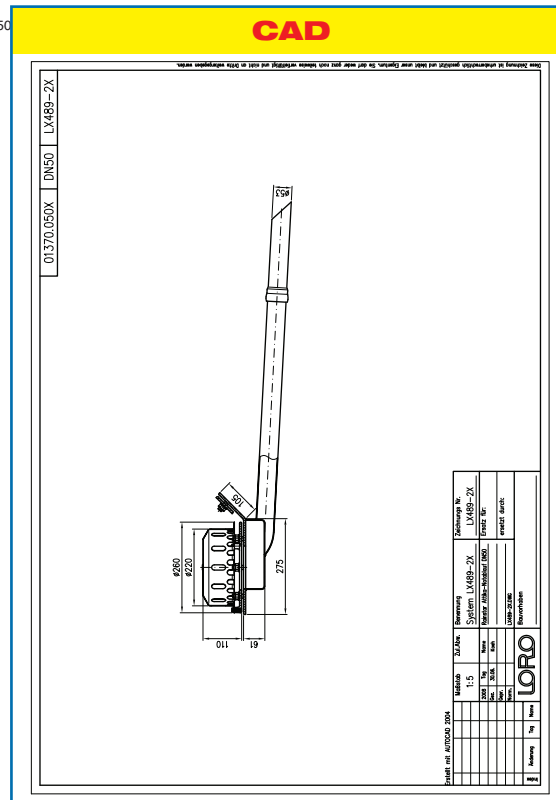


LX 489 Piece list

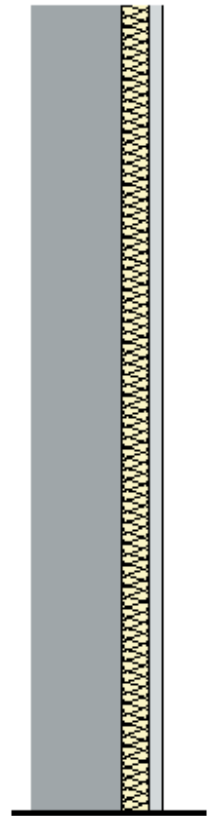
- 1 x Art.-No. 01370.050X, RAINSTAR® parapet drain
- 1 x Art.-No. 01401.050X, LORO-X Pipe with one socket
- 1 x Art.-No. 13232.050X, LORO-X Sliding flange
- 1 x Art.-No. 00911.050X, LORO-X Sealing elements
- 1 x Art.-No. 00986.000X, LORO-X Lubricant



Systempower



Systemshape



Water height	mm	5	10	15	20	25	30	35	40	45	50	55	60	65	70	75
Discharge	l/sec	0,5	1,1	1,5	2,0	2,1	2,2	2,2	2,3	2,4	2,5	2,6	2,6	2,7	2,7	
								Silent Power								
Silent																

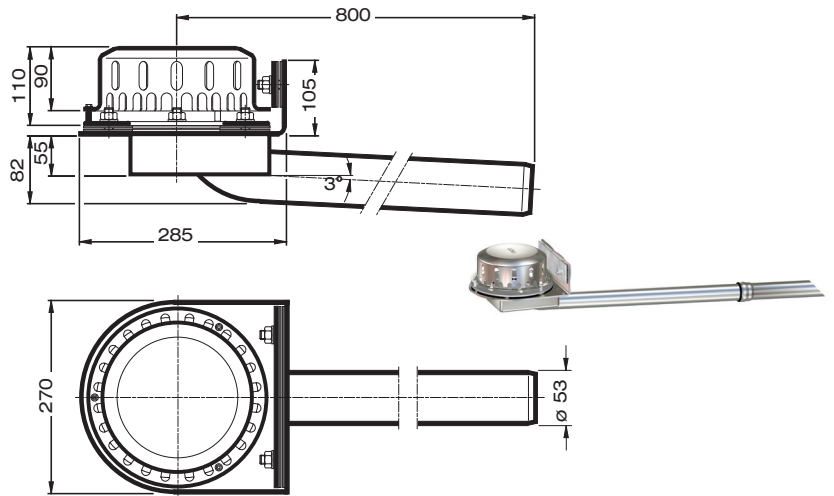
Choose drain for piece list on page one!

DN 50

LX489-1X

Drain Art.-No. 01372.050X
Weight: 5,6 kg

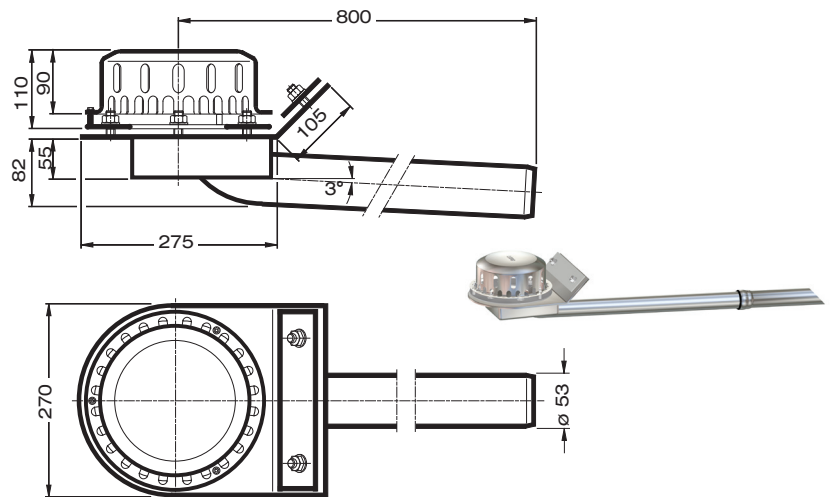
Series 79 (RA)
clamping flange 90°
for plastic roofing sheets



LX489-2X

Drain Art.-No. 01370.050X
Weight: 5,6 kg

Series 79 (RA)
clamping flange 45°
for bituminous roofing sheets



LX489-4X

Drain Art.-No. 01390.050X
Weight: 3,9 kg

Series 88
clamping flange
without raised edge
for bituminous and plastic
roofing sheets

